

TVE 25 S

EN

ORIGINAL INSTRUCTIONS
PEDESTAL FAN



 TROTEC

Table of contents

Notes regarding the instructions 2

Safety 2

Information about the device 4

Transport and storage 5

Assembly and start-up 5

Operation 9

Errors and faults 10

Maintenance 11

Technical annex 11

Disposal 12

Notes regarding the instructions

Symbols



Warning of electrical voltage

This symbol indicates dangers to the life and health of persons due to electrical voltage.



Warning

This signal word indicates a hazard with an average risk level which, if not avoided, can result in serious injury or death.



Caution

This signal word indicates a hazard with a low risk level which, if not avoided, can result in minor or moderate injury.

Note

This signal word indicates important information (e.g. material damage), but does not indicate hazards.



Info

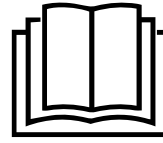
Information marked with this symbol helps you to carry out your tasks quickly and safely.



Follow the manual

Information marked with this symbol indicates that the instructions must be observed.

You can download the current version of the instructions and the EU declaration of conformity via the following link:



TVE 25 S



<https://hub.trotec.com/?id=41974>

Safety

Read this manual carefully before starting or using the device. Always store the manual in the immediate vicinity of the device or its site of use.



Warning

Read all safety warnings and all instructions.

Failure to follow the warnings and instructions may result in electric shock, fire and/or serious injury.

Save all warnings and instructions for future reference.

This appliance can be used by children aged from 8 years and above and persons with reduced physical, sensory or mental capabilities or lack of experience and knowledge if they have been given supervision or instruction concerning use of the appliance in a safe way and understand the hazards involved.

Children shall not play with the appliance. Cleaning and user maintenance shall not be made by children without supervision.

- Do not use the device in potentially explosive rooms or areas and do not install it there.
- Do not use the device in aggressive atmosphere.
- Only put up the device in an upright, stable position on firm ground.
- Let the device dry out after a wet clean. Do not operate it when wet.
- Do not use the device with wet or damp hands.
- Do not expose the device to directly squirting water.
- Never insert any objects or limbs into the device.
- Do not cover the device during operation.
- Do not sit on the device.
- This appliance is not a toy. Keep away from children and animals.

- Check accessories and connection parts for possible damage prior to every use of the device. Do not use any defective devices or device parts.
- Ensure that all electric cables outside of the device are protected from damage (e.g. caused by animals). Never use the device if electric cables or the power connection are damaged!
- The mains connection must correspond to the specifications in the Technical annex.
- Insert the mains plug into a properly fused mains socket.
- Observe the technical data when selecting extensions to the power cable. Completely unroll the extension cable. Avoid electrical overload.
- Before carrying out maintenance, care or repair work on the device, remove the mains plug from the mains socket. Hold onto the mains plug while doing so.
- Switch the device off and disconnect the power cable from the mains socket when the device is not in use.
- Do not under any circumstances use the device if you detect damages on the mains plug or power cable. If the power cable is damaged, it must be replaced by the manufacturer, its service agent or similarly qualified persons in order to avoid a hazard.
Defective power cables pose a serious health risk!
- When positioning the device, observe the minimum distances from walls and other objects as well as the storage and operating conditions specified in the Technical annex.
- Make sure that the air inlet and outlet are not obstructed.
- Make sure that there are no loose items or dirt located in the immediate surroundings of air inlet and air outlet.
- When unmounted, the device should be neither operated nor connected to the mains.
- Improper installation can lead to a fire, electric shock or severe personal injury.
- The device is provided with an overheating protection which is activated by overheating of the device (when exceeding the operating temperature). In such an event the device switches off automatically.
- Use batteries of type AAA.
- Do not insert rechargeable batteries into the remote control.
- Never charge batteries that cannot be recharged.
- Different types of batteries and new and used batteries must not be used together.
- Insert the batteries into the battery compartment according to the correct polarity.
- Remove discharged batteries from the device. Batteries contain materials hazardous to the environment. Dispose of the batteries according to the national regulations.
- Remove the batteries from the remote control if you will not be using the device for a longer period of time.
- Never short-circuit the supply terminal in the battery compartment!
- Do not swallow batteries! If a battery is swallowed, it can cause severe internal burns within 2 hours! These burns can lead to death!
- If you think batteries might have been swallowed or otherwise entered the body, seek medical attention immediately!
- Keep new and used batteries and an open battery compartment away from children.
- If the battery compartment does not close securely, stop using the product via the remote control.

Intended use

Only use the device TVE 25 S as pedestal fan for the ventilation of interior spaces whilst adhering to the technical data.

Foreseeable misuse

- Do not place the device on wet or flooded ground.
- Do not place any objects, e.g. clothing, on the device.
- Do not use the device out of doors.
- Any operation other than as described in this manual is prohibited. Non-observance renders all claims for liability and guarantee null and void.
- Any unauthorised modifications, alterations or structural changes to the device are forbidden.

Personnel qualifications

People who use this device must:

- be aware of the dangers that occur when working with electric devices in damp areas.
- have read and understood the instructions, especially the Safety chapter.

Residual risks



Warning of electrical voltage

Work on the electrical components must only be carried out by an authorised specialist company!



Warning of electrical voltage

Before any work on the device, remove the mains plug from the mains socket!
Do not touch the mains plug with wet or damp hands. Hold onto the mains plug while pulling the power cable out of the mains socket.



Warning

Dangers can occur at the device when it is used by untrained people in an unprofessional or improper way! Observe the personnel qualifications!



Warning

The device is not a toy and does not belong in the hands of children.



Warning

Risk of suffocation!
Do not leave the packaging lying around. Children may use it as a dangerous toy.

Note

Do not use abrasive cleaners or solvents to clean the device.

Behaviour in the event of an emergency

1. Switch the device off.
2. Disconnect the device from the mains feed-in: Hold onto the mains plug while pulling the power cable out of the mains socket.
3. Do not reconnect a defective device to the mains.

Information about the device

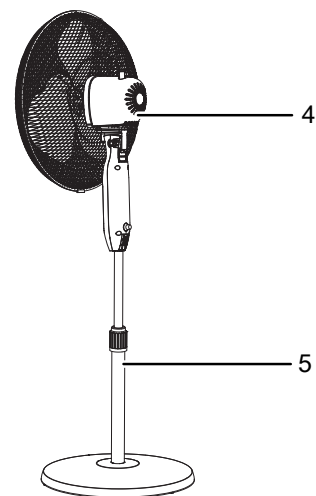
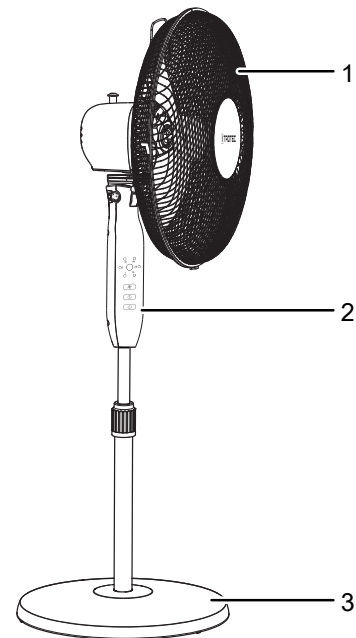
Device description

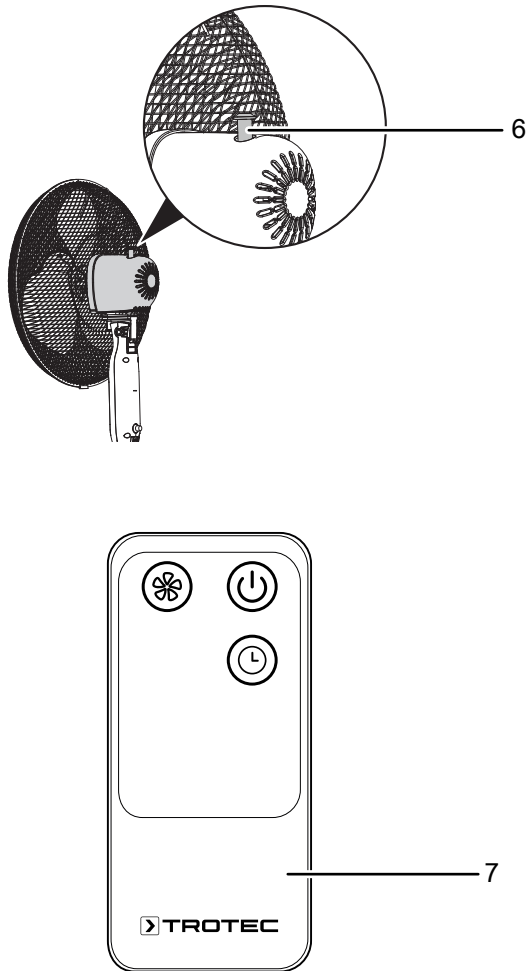
The pedestal fans of the TVE S series are suitable for indoor air circulation.

The device TVE 25 S comes with the following features:

- 3 speed levels
- Adjustable timer function up to 7 hours
- Height adjustability
- Inclination angle of the fan head vertically adjustable by up to 30°
- On-demand 80° oscillation
- Transport handle for easy transport

Device depiction





No.	Designation
1	Protective grid
2	Control panel
3	Foot
4	Motor
5	Pillar
6	Oscillation pin
7	Remote control

Transport and storage

Note

If you store or transport the device improperly, the device may be damaged.
Note the information regarding transport and storage of the device.

Transport

Before transporting the device, observe the following:

- Switch the device off.
- Hold onto the mains plug while pulling the power cable out of the mains socket.
- Do not use the power cable to drag the device.

After transporting the device, proceed as follows:

- Set up the device in an upright position after transport.

Storage

Before storing the device, proceed as follows:

- Hold onto the mains plug while pulling the power cable out of the mains socket.

When the device is not being used, observe the following storage conditions:

- Store the device in a dry location and protected from frost and heat.
- If required, use a cover to protect the device from invasive dust.
- Place no further devices or objects on top of the device to prevent it from being damaged.
- Remove the batteries from the remote control.

Assembly and start-up

Scope of delivery

- 1 x Device TVE 25 S
- 1 x Remote control (without batteries)
- 1 x manual

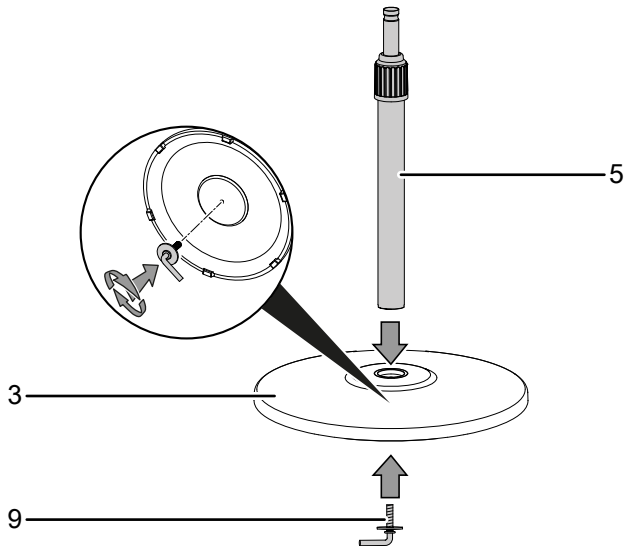
Unpacking the device

1. Open the cardboard box and take the device out.
2. Completely remove the packaging.
3. Fully unwind the power cable. Make sure that the power cable is not damaged and that you do not damage it during unwinding.

Assembly

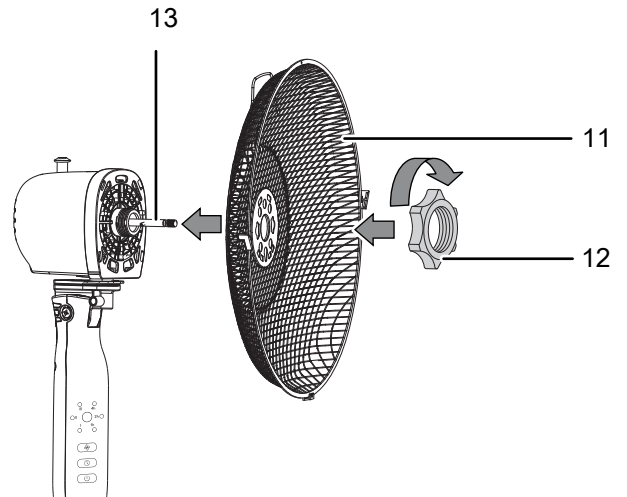
Mounting the foot

Connect the foot (3) and the pillar (5) and screw in the connection screw (9) below the foot (3) to fasten them.



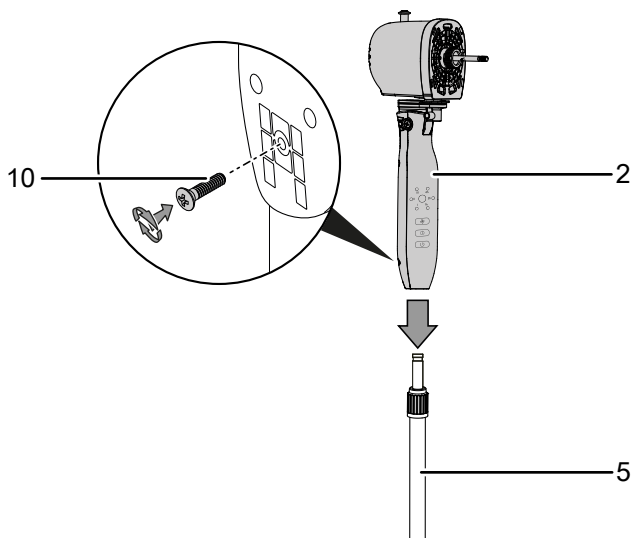
Mounting the rotor

Fit the rear part of the protective grid (11) on the motor spindle (13). Fasten both elements with the retaining ring (12).



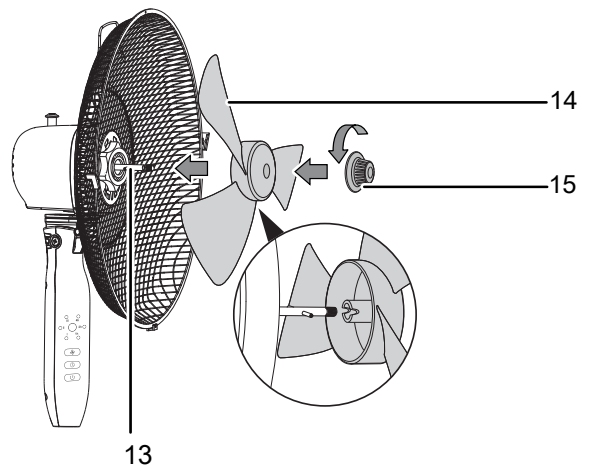
Connecting the operating element and pillar

Connect the control panel (2) and the pillar (5) and fasten the connection screw (10) at the rear of the control panel.



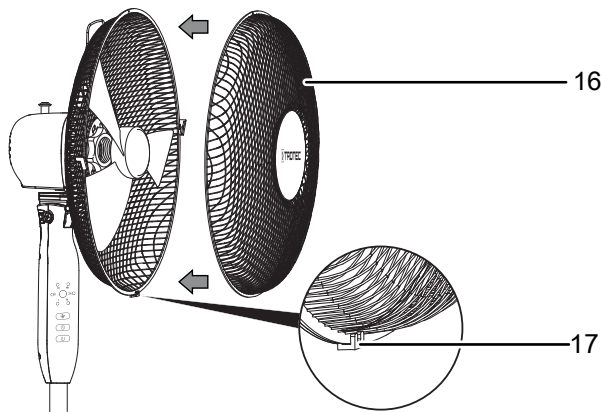
Fastening the impeller on the motor spindle

1. Fit the impeller (14) on the motor spindle (13).
2. Fasten the impeller (14) using the impeller retaining cap (15).

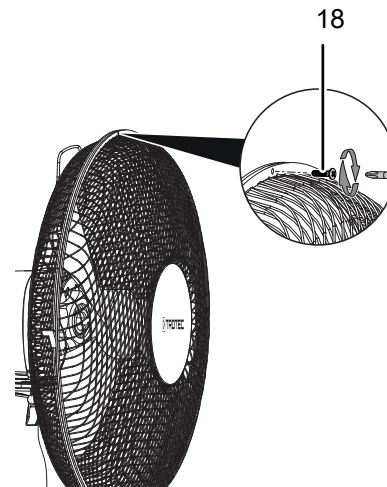


Mounting and closing the protective grid

1. Fit the front part of the protective grid (16) on the rear part of the protective grid. Make sure that the two parts are fixed by the fastening clips (17).



Use the fastening screw (18) at the top of the protective grid to fasten the two grid parts.

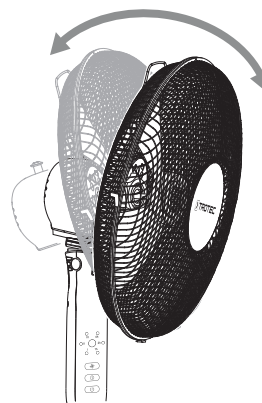
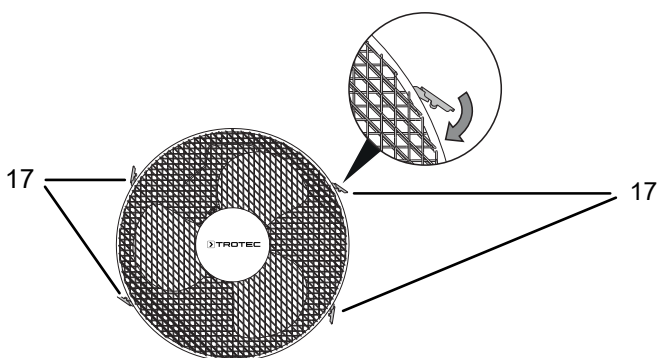


Setting the fan's inclination angle

The inclination angle of the fan can be manually adjusted by up to 30°.

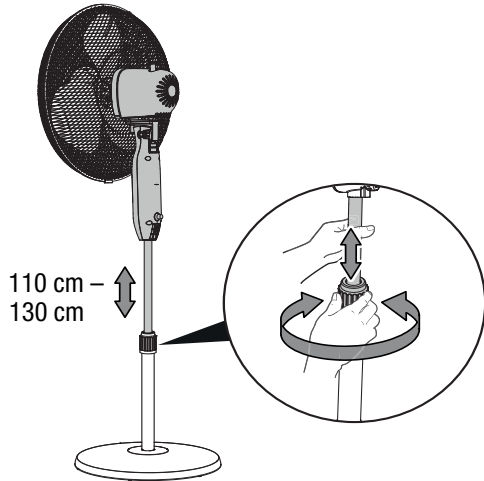
2. Make sure that the two parts are fixed by all four fastening clips (17).

1. Move the fan head forward or back so that it is slightly inclined either to the front or to the rear. Make sure that the fan head locks into place at the desired inclination angle.
 - ⇒ The fan's inclination angle has been set and the air will flow out at the selected inclination angle.



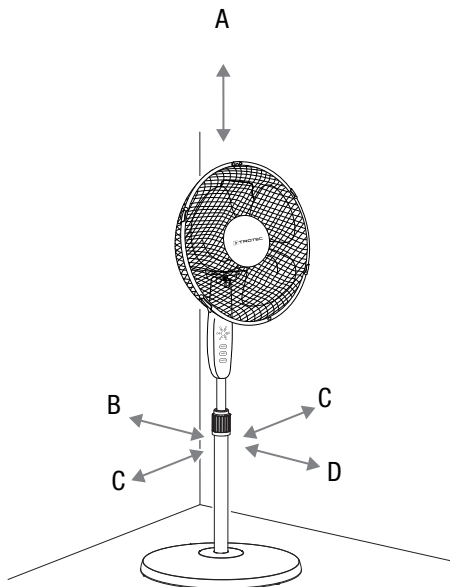
Adjusting the height

Turn the height adjustment screw to be able to set the appropriate device height.



Start-up

When positioning the device, observe the minimum distance from walls or other objects as described in the chapter Technical annex.



Warning

Risk of injury due to incorrect start-up!
There is a risk of injury if the protective grid is not installed correctly around the impeller. The protective grid must be installed correctly before the device is switched on.



Warning

Risk of injury if protective grid is removed!
There is a risk of injury if the protective grid is removed during operation. Do not remove the protective grid while the device is in operation!

- Before restarting the device, check the condition of the power cable. If there are doubts as to the sound condition, contact the customer service.
- Only put up the device in an upright, stable position on firm ground.
- Do not create tripping hazards when laying the power cable or other electric cables, especially when positioning the device in the middle of the room. Use cable bridges.
- Make sure that extension cables are completely unrolled.
- Make sure that no curtains or other objects interfere with the air flow.

Inserting batteries into the remote control



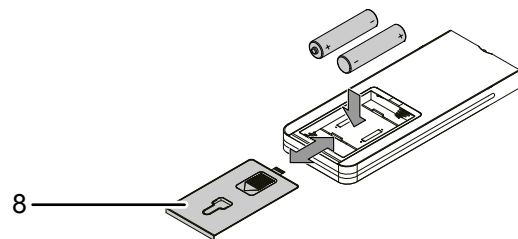
Warning of electrical voltage

Do not touch the battery compartment with wet or damp hands.

Note

Do not use rechargeable batteries! Observe the Technical data for start-up.

Remove the battery cover (8) above the remote control's battery compartment and insert two AAA batteries (1.5 V).

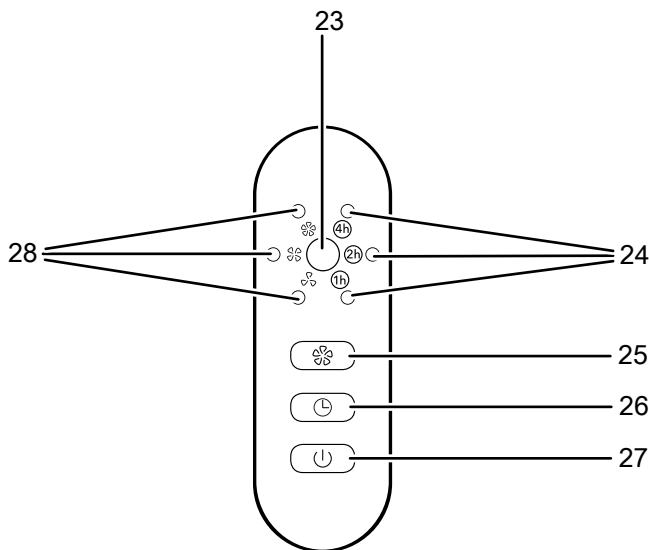


Connecting the power cable

- Insert the mains plug into a properly fused mains socket.
- The symbols on the control panel display light up briefly. The device is now in standby mode.

Operation

Operating elements



No.	Designation	Meaning
23	Receiver	Receives the remote control signal
24	Timer indication	<ul style="list-style-type: none"> • Indication of the number of hours of the activated timer (1 to 7 h) through a combination of the symbols 1h, 2h and/or 4h • When added up, the symbols illuminated in red indicate the desired number of hours
25	<i>SPEED</i> button	Setting the fan stage
26	<i>TIMER</i> button	Switching the timer on or off
27	<i>ON/OFF</i> button	Switching the device on and off
28	Fan stage indication:	Fan speed indication:
	I	Stage 1 = low
	II	Stage 2 = medium
	III	Stage 3 = high

Switching the device on

Once you have completely installed the device as described in the chapter Assembly and start-up, you can switch it on.

1. Press the *ON/OFF* button (27).
 - ⇒ An acoustic signal is emitted and the device starts up at fan stage 1.

Setting the fan stage

The fan can be set to three stages while in operation.

1. Press the *SPEED* button (25) on the control panel to set the desired fan stage.
 - ⇒ An acoustic signal is emitted and the fan stage indication (28) of the desired fan stage lights up.

Setting the timer

The timer has one mode of operation:

- automatic switch-off upon expiry of a preset number of hours.

The number of hours can be between 1 and 7 and can be adjusted in increments of 1 h.

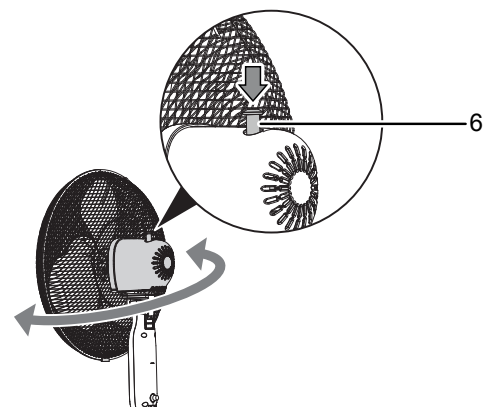
Automatic switch-off

- ✓ The device is switched on.
1. Press the *TIMER* button (26) until the desired number of hours is displayed as a combination of the different hour symbols (24).
 - ⇒ The timer setting equals the desired number of hours.
 - ⇒ The device switches off after the set number of hours has elapsed.

Using the oscillation function

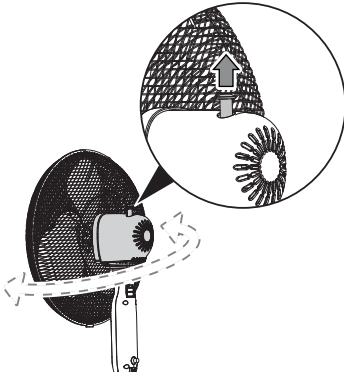
By means of the oscillation function you can achieve consistent ventilation.

- ✓ The device is switched on and operating.
1. Press the oscillation pin (6) so that it locks in place.



- ⇒ The oscillation function is activated.

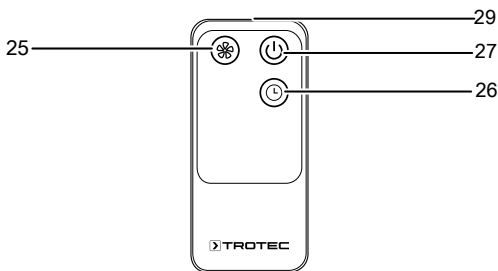
⇒ The fan head rotates to and fro by up to 80°.



2. Pull the oscillation pin (6) up to switch the oscillation function back off.
 - ⇒ The oscillation function is deactivated.
 - ⇒ The device stops oscillation at the desired position and continues to run in the selected operating mode.

Remote control

All settings of the device can also be made using the remote control included in the scope of delivery.



No.	Designation	Meaning
29	Remote control transmitter/receiver	For infrared transmission to the device
27	ON/OFF button	Switching the device on and off
26	TIMER button	Switching the timer on or off
25	SPEED button	Setting the fan stage

Shutdown



Warning of electrical voltage

Do not touch the mains plug with wet or damp hands.

- Switch off the device.
- Hold onto the mains plug while pulling the power cable out of the mains socket.
- Clean the device according to the Maintenance chapter.
- Store the device according to the Transport and storage chapter.

Errors and faults

The device has been checked for proper functioning several times during production. If malfunctions occur nonetheless, check the device according to the following list.

The device does not start:

- Check the power connection.
- Check the power cable and mains plug for damage.
- Check the on-site fusing.
- Check whether the overheating protection has tripped, see chapter Safety.

The fan does not start:

- Check whether the unit is switched on.
- Check the power supply and whether the plug or cable is defective.

The device is loud or vibrates:

- Check whether the device is set up in a stable and upright position.
- Check whether the device is mounted correctly.

Note

Wait for at least 3 minutes after maintenance and repair work. Only then switch the device back on.

The device still does not operate correctly after these checks:

Please contact the customer service. If necessary, bring the device to an authorised specialist electrical company or to Trotec for repair.

Maintenance

Activities required before starting maintenance



Warning of electrical voltage

Do not touch the mains plug with wet or damp hands.

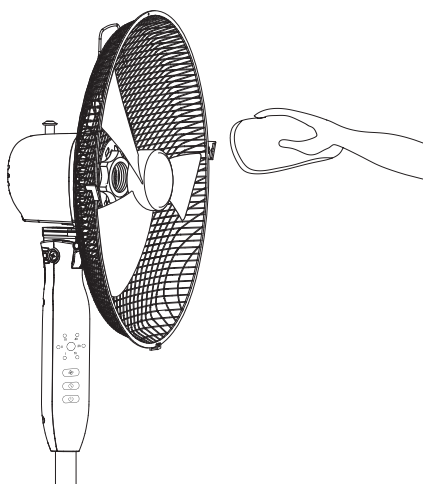
- Switch the device off.
- Hold onto the mains plug while pulling the power cable out of the mains socket.

Cleaning the housing

Clean the housing with a soft, damp and lint-free cloth. Make sure that no moisture enters the housing. Protect electrical components from moisture. Do not use any aggressive cleaning agents such as cleaning sprays, solvents, alcohol-based or abrasive cleaners to dampen the cloth.

Cleaning the fan blades

- ✓ The device is switched off.
 - ✓ The power cable has been removed from the mains socket.
1. Remove the protective grid according to the instructions in the chapter Assembly and start-up.
 2. Clean the fan blades with a soft, damp and lint-free cloth. Ensure that no moisture enters the housing. Protect electrical components from moisture. Do not use any aggressive cleaning agents such as cleaning sprays, solvents, alcohol-based or abrasive cleaners to dampen the cloth.



Technical annex

Technical data

Parameter	Value
Model	TVE 25 S
Fan stages	3
Air velocity	2.0 m/s
Input voltage	220 – 240 V / 50 Hz
Power consumption	40 W
Power cable length	1.50 m
Adjustable inclination angle	30°
Oscillation function	80°
Height adjustability	1.10 – 1.30 m
Fan blade diameter	40 cm
Sound pressure level (at 1 m distance, stage 3)	57 dB(A)
Weight	5 kg
Dimensions (length x width x height)	435 x 435 x 1300 mm
Minimum distance to walls and other objects:	top (A): 30 cm rear (B): 30 cm sides (C): 30 cm front (D): 30 cm

- Other than that, the device does not require maintenance.

Disposal

Always dispose of packing materials in an environmentally friendly manner and in accordance with the applicable local disposal regulations.



The icon with the crossed-out waste bin on waste electrical or electronic equipment is taken from Directive 2012/19/EU. It states that this device must not be disposed of with the household waste at the end of its life. You will find collection points for free return of waste electrical and electronic equipment in your vicinity. The addresses can be obtained from your municipality or local administration. You can also find out about other return options that apply for many EU countries on the website <https://hub.trotec.com/?id=45090>. Otherwise, please contact an official recycling centre for electronic and electrical equipment authorised for your country.

The separate collection of waste electrical and electronic equipment aims to enable the re-use, recycling and other forms of recovery of waste equipment as well as to prevent negative effects for the environment and human health caused by the disposal of hazardous substances potentially contained in the equipment.



In the European Union, batteries and accumulators must not be treated as domestic waste, but must be disposed of professionally in accordance with Directive 2006/66/EC of the European Parliament and of the Council of 6 September 2006 on batteries and accumulators. Please dispose of batteries and accumulators according to the relevant legal requirements.

Only for United Kingdom

According to Waste Electrical and Electronic Equipment Regulations 2013 (SI 2013/3113) (as amended) and the Waste Batteries and Accumulators Regulations 2009 (SI 2009/890) (as amended), devices that are no longer usable must be collected separately and disposed of in an environmentally friendly manner.

Trotec GmbH

Grebener Str. 7
D-52525 Heinsberg

☎ +49 2452 962-400

☎ +49 2452 962-200

✉ info@trotec.com

www.trotec.com