

EN

ORIGINAL INSTRUCTIONS
CORDLESS RANDOM ORBITAL
SANDER



Table of contents

Notes regarding the instructions 2

Safety 3

Information about the device 8

Transport and storage 10

Start-up 10

Operation 14

Available accessories 15

Errors and faults 16


Maintenance 17


Disposal 18


Declaration of conformity 19


Notes regarding the instructions


Symbols

 **Warning of electrical voltage**
 This symbol indicates dangers to the life and health of persons due to electrical voltage.


 **Warning of explosive substances**
 This symbol indicates dangers to the life and health of persons due to potentially explosive substances.


 **Warning of hot surface**
 This symbol indicates dangers to the life and health of persons due to hot surface.


 **Warning**
 This signal word indicates a hazard with an average risk level which, if not avoided, can result in serious injury or death.


 **Caution**
 This signal word indicates a hazard with a low risk level which, if not avoided, can result in minor or moderate injury.


Note
 This signal word indicates important information (e.g. material damage), but does not indicate hazards.


 **Info**
 Information marked with this symbol helps you to carry out your tasks quickly and safely.

 **Follow the manual**
 Information marked with this symbol indicates that the instructions must be observed.

 **Wear hearing protection**
 Information marked with this symbol indicates that you should wear hearing protection.

 **Wear safety glasses**
 Information marked with this symbol indicates that you should wear eye protection.

 **Wear a protective mask**
 Information marked with this symbol indicates that you should wear a protective mask.

 **Wear protective clothing**
 Information marked with this symbol indicates that you should wear protective clothing.

 **Wear protective gloves**
 Information marked with this symbol indicates that you should wear protective gloves.

You can download the current version of the instructions via the following link:



PESS 10-20V



<https://hub.trotec.com/?id=46068>

Safety

General Power Tool Safety Warnings



Warning

Read all safety warnings, instructions, illustrations and specifications provided with this power tool.

Failure to follow all instructions listed below may result in electric shock, fire and/or serious injury.

Save all warnings and instructions for future reference.

The term *power tool* in the warnings refers to your mains-operated (corded) power tool or battery-operated (cordless) power tool.



General Power Tool Safety Warnings – Work area safety

- **Keep work area clean and well lit.** Clutter or dark areas invite accidents.
- **Do not operate power tools in explosive atmosphere, such as in the presence of flammable liquids, gases or dust.** Power tools create sparks which may ignite the dust or fumes.
- **Keep children and bystanders away while operating a power tool.** Distractions can cause you to lose control.



General Power Tool Safety Warnings – Electrical safety

- **Power tool plugs must match the outlet. Never modify the plug in any way. Do not use any adapter plugs with earthed (grounded) power tools.** Unmodified plugs and matching outlets will reduce risk of electric shock.
- **Avoid body contact with earthed or grounded surfaces, such as pipes, radiators, ranges and refrigerators.** There is an increased risk of electric shock if your body is earthed or grounded.
- **Do not expose power tools to rain or wet conditions.** Water entering a power tool will increase the risk of electric shock.
- **Do not abuse the cord. Never use the cord for carrying, pulling or unplugging the power tool. Keep cord away from heat, oil, sharp edges or moving parts.** Damaged or entangled cords increase the risk of electric shock.
- **When operating a power tool outdoors, use an extension cord suitable for outdoor use.** Use of a cord suitable for outdoor use reduces the risk of electric shock.
- **If operating a power tool in a damp location is unavoidable, use a residual current device (RCD) protected supply.** Use of an RCD reduces the risk of electric shock.



General Power Tool Safety Warnings – Personal safety

- **Stay alert, watch what you are doing and use common sense when operating a power tool. Do not use a power tool while you are tired or under the influence of drugs, alcohol or medication.** A moment of inattention while operating power tools may result in serious personal injury.
- **Use personal protective equipment. Always wear eye protection.** Protective equipment such as a dust mask, non-skid safety shoes, hard hat or hearing protection used for appropriate conditions will reduce personal injuries.
- **Prevent unintentional starting. Ensure the switch is in the off-position before connecting to power source and/or battery pack, picking up or carrying the tool.** Carrying power tools with your finger on the switch or energising power tools that have the switch on invites accidents.
- **Remove any adjusting key or wrench before turning the power tool on.** A wrench or a key left attached to a rotating part of the power tool may result in personal injury.
- **Do not overreach. Keep proper footing and balance at all times.** This enables better control of the power tool in unexpected situations.
- **Dress properly. Do not wear loose clothing or jewellery. Keep your hair and clothing away from moving parts.** Loose clothes, jewellery or long hair can be caught in moving parts.
- **If devices are provided for the connection of dust extraction and collection facilities, ensure these are connected and properly used.** Use of dust collection can reduce dust-related hazards.
- **Do not let familiarity gained from frequent use of tools allow you to become complacent and ignore tool safety principles.** A careless action can cause severe injury within a fraction of a second.



General Power Tool Safety Warnings – Power tool use and care

- **Do not force the power tool. Use the correct power tool for your application.** The correct power tool will do the job better and safer at the rate for which it was designed.
- **Do not use the power tool if the switch does not turn it on and off.** Any power tool that cannot be controlled with the switch is dangerous and must be repaired.

- **Disconnect the plug from the power source and/or remove the battery pack, if detachable, from the power tool before making any adjustments, changing accessories, or storing power tools.** Such preventive safety measures reduce the risk of starting the power tool accidentally.
- **Store idle power tools out of the reach of children and do not allow persons unfamiliar with the power tool or these instructions to operate the power tool.** Power tools are dangerous in the hands of untrained users.
- **Maintain power tools and accessories. Check for misalignment or binding of moving parts, breakage of parts and any other condition that may affect the power tool's operation. If damaged, have the power tool repaired before use.** Many accidents are caused by poorly maintained power tools.
- **Keep cutting tools sharp and clean.** Properly maintained cutting tools with sharp cutting edges are less likely to bind and are easier to control.
- **Use the power tool, accessories and tool bits etc. in accordance with these instructions, taking into account the working conditions and the work to be performed.** Use of the power tool for operations different from those intended could result in a hazardous situation.
- **Keep handles and grasping surfaces dry, clean and free from oil and grease.** Slippery handles and grasping surfaces do not allow for safe handling and control of the tool in unexpected situations.



General Power Tool Safety Warnings – Battery tool use and care

- **Recharge only with charger specified by the manufacturer.** A charger that is suitable for one type of battery pack may create a risk of fire when used with another battery pack.
- **Use power tools only with specifically designed battery packs.** Use of any other battery packs may create a risk of injury and fire.
- **When battery pack is not in use, keep it away from other metal objects, like paper clips, coins, keys, nails, screws or other small metal objects, that can make a connection from one terminal to another.** Shorting the battery terminals together may cause burns or a fire.
- **Under abusive conditions, liquid may be ejected from the battery; avoid contact. If contact accidentally occurs, flush with water. If liquid contacts eyes, additionally seek medical help.** Liquid ejected from the battery may cause irritation or burns.

- **Do not use a battery pack or tool that is damaged or modified.** Damaged or modified batteries may exhibit unpredictable behaviour resulting in fire, explosion or risk of injury.
- **Do not expose a battery pack or tool to fire or excessive temperature.** Exposure to fire or temperature above 130 °C may cause explosion.
- **Follow all charging instructions and do not charge the battery pack or tool outside the temperature range specified in the instructions.** Charging improperly or at temperatures outside the specified range may damage the battery and increase the risk of fire.



General Power Tool Safety Warnings – Charger use and care

- **This charger can be used by children aged from 8 years and above and persons with reduced physical, sensory or mental capabilities or lack of experience and knowledge if they have been given supervision or instruction concerning use of the appliance in a safe way and understand the hazards involved. Children shall not play with the appliance.** Cleaning and user maintenance shall not be made by children without supervision.
- **Never insert non-rechargeable batteries into the charger.** A charger that is suitable for one type of battery pack may create a risk of fire and explosion, when used with another battery pack or non-rechargeable batteries.
- **Only charge the Li-Ion battery "Multiflex 20 – 2.0 DC" (capacity of 2.0 Ah = 5 battery cells) with the charger "Multiflex 20 – 2.0 AC".** The battery voltage must match the battery charging voltage of the charger.



General Power Tool Safety Warnings – Service

- **Have your power tool serviced by a qualified repair person using only identical replacement parts.** This will ensure that the safety of the power tool is maintained.
- **Never service damaged battery pack.** Service of battery packs should only be performed by the manufacturer or authorized service providers.



Additional safety warnings for the random orbital sander

- **Only use the power tool for dry sanding.** Water entering an electrical appliance increases the risk of electric shock.
- **Make sure that nobody's safety is jeopardized by flying sparks. Remove combustible materials from the working environment.** Grinding metal causes sparks to fly.
- **Attention, fire hazard! Avoid overheating of the material to be sanded and the sander. Before taking work breaks always empty the dust container.** Unfavourable conditions such as flying sparks when sanding metal render abrasive dust in the dust bag, micro filter, paper bag (or in the filter bag or filter of the vacuum cleaner) prone to self-ignition. The risk is particularly high when the abrasive dust is mixed with residues of paint, polyurethane or other chemical substances and the sanding material is hot after a longer period of work.
- **Regularly clean the power tool's air vents.** The motor's fan will draw the dust inside the housing and excessive accumulation of powdered metal may cause electrical hazards.
- **During operation hold onto the power tool with both hands.** Make sure that you stand firmly on the ground. It is safer to handle the power tool with two hands.
- **Never lay the power tool down until the accessory has come to a complete stop.** The spinning accessory may grab the surface and pull the power tool out of your control.
- **Secure the workpiece.** The grip of tensioning devices or a vice is more secure than holding the workpiece only by hand.
- **Do not use accessories which are not specifically designed and recommended by the tool manufacturer.** Just because the accessory can be attached to your power tool, it does not assure safe operation.
- **Wear personal protective equipment. Depending on application, use face shield, safety goggles or safety glasses. As appropriate, wear dust mask, hearing protectors, gloves and workshop apron capable of stopping small abrasive or workpiece fragments.** The eye protection must be capable of stopping flying debris generated by various operations. The dust mask or respirator must be capable of filtering particles generated by your operation. Prolonged exposure to high intensity noise may cause hearing loss.
- **Do not run the power tool while carrying it at your side.** Accidental contact with the spinning accessory could snag your clothing, pulling the accessory into your body.

- **Hold the power tool by the insulated gripping surfaces, as the grinding surface could hit the connecting cable.** Damaging a live wire might energize metal parts of the power tool and lead to an electric shock.
- **Never support your hands next to or in front of the device and the surface to be processed.** There is a risk of injury if the tool slips.



Additional Safety Warnings for Sanding Operations

- **Do not operate the power tool near flammable materials.** Sparks could ignite these materials.
- **Do not use worn, torn or heavily contaminated sanding sheets.** Damaged abrasive sanding sheets can be torn apart, catapulted away and so lead to personal injury.
- **For processing wood, or in particular materials that produce harmful dusts when sanded, connect the power tool to an appropriate external exhaust system.**
- **Only hold the power tool against the workpiece when the tool is switched on and running. If you are finished with processing the workpiece, lift the power tool off the workpiece before you switch it off.**
- **Using a power tool that comes equipped with a dust collector or can be connected to the vacuum cleaner by means of a dust extraction device involves a fire hazard.** In unfavourable conditions – e.g. in case of flying sparks caused by grinding metal or metal remainders in wood – the wood dust inside the dust collector (or in the vacuum cleaner's dust collection bag) might self-ignite. The risk is particularly high when the wood dust is mixed with paint residues or other chemical substances and the sanding material is hot after a longer period of work. Therefore, avoid overheating of the workpiece and of the power tool at all times and empty the dust collector or the vacuum cleaner's dust bag before taking work breaks.
- **Do not use the dust extraction system when grinding metals.**
- **Ensure sufficient ventilation.**
- **Do not use excessively oversized sanding disc paper. Follow manufacturers recommendations, when selecting sanding paper.** Larger sanding paper extending beyond the sanding pad presents a laceration hazard and may cause snagging, tearing of the disc or kickback.

Intended use

Only use the device PESS 10-20V for the dry grinding of wood, plastics, metal and painted surfaces whilst adhering to the technical data.

The device must only be used for dry sanding.

We recommend using the power tool with original Trotec accessories.

Foreseeable misuse

The device is not intended for processing damp materials or for polishing.

Any other use than the one described in the chapter "Intended use" is regarded as reasonably foreseeable misuse.

Personnel qualifications

People who use this device must:

- have read and understood the instructions, especially the Safety chapter.

Safety signs and labels on the battery and the charger

Note

Do not remove any safety signs, stickers or labels from the device. Keep all safety signs, stickers and labels in legible condition.

The following safety signs and labels are attached to the battery:



Warning of explosion risk!

These symbols indicate the following:



Do not expose the battery pack or tool to fire or excessive temperature! Do not let the battery come into contact with water or fire! Avoid direct sunlight and moisture. There is a risk of explosion!

Never charge the battery at ambient temperatures below 10 °C or above 45 °C. Charging improperly or at temperatures outside the specified range may damage the battery and increase the risk of fire.



Observe the correct disposal of the battery!

This symbol indicates the following:

Ensure that the battery is disposed of correctly and never dispose of it in waste water or public waters. The battery contains irritating, caustic and toxic substances that pose significant risks to people and the environment.

The following safety signs and labels are attached to the charger:



This symbol indicates the following:

Read the instructions or operating manual before charging the battery.



This symbol indicates the following:

Only use the charger for charging the battery in dry interior spaces. Do not charge the device outdoors.

Personal protective equipment



Wear hearing protection.

Excessive noise can lead to hearing loss.



Wear eye protection.

With it you protect your eyes from splintering, falling and flying pieces which could cause injuries.



Wear a protective mask.

It saves you from inhaling harmful dusts generated when processing workpieces.



Wear protective gloves.

They protect your hands from burns, crushing injuries and skin abrasions.



Wear tight-fitting protective clothing.

This protects you from the draw-in and entanglement hazard posed by rotating parts.

Residual risks



Warning of electrical voltage

Electric shock from insufficient insulation.

Check the device for damages and proper functioning before each use.

If you notice damages, no longer use the device.

Do not use the device when the device or your hands are damp or wet!



Warning of electrical voltage

Work on the electrical components must only be carried out by an authorised specialist company!



Warning of electrical voltage

There is a risk of a short-circuit due to liquids penetrating the housing!

Do not immerse the device and the accessories in water. Make sure that no water or other liquids can enter the housing.



Warning of explosive substances

Do not expose the battery to temperatures above 45 °C! Do not let the battery come into contact with water or fire! Avoid direct sunlight and moisture. There is a risk of explosion!



Warning of explosive substances

Fine dust produced during grinding is highly flammable. Risk of fire and explosion!

Use the dust collector or a dust extraction system for collecting the produced dusts.

Empty the dust collector before taking work breaks.



Warning of explosive substances

Wood dust inside the dust collector can self-ignite in case of flying sparks. Do not use the dust extraction system when grinding metals!
Wood dust can intermix with varnish residues or other chemical substances.
Risk of fire and explosion!
Avoid overheating of the workpiece and the device.
Empty the dust collector or the vacuum cleaner's dust collection bag at regular intervals.



Warning of hot surface

The insertion tool might still be hot after the application. Burn hazard when touching the insertion tool.



Do not touch the insertion tool bare-handed!
Wear protective gloves!



Warning of hot surface

The workpiece becomes hot during grinding. Risk of burns.



Do not touch the processed part of the workpiece!
Allow it to cool down.
Wear protective gloves!



Warning

Toxic dusts!



The harmful / toxic dusts produced during operation pose of risk to the health of the operator and persons in the vicinity.



Wear eye protection and a dust mask!



Warning

Do not process materials containing asbestos. Asbestos is considered carcinogenic.



Warning

Risk of injuries caused by flying parts.
Use a dust or chip bag or a dust extraction system.



Warning

Dangers can occur at the device when it is used by untrained people in an unprofessional or improper way!
Observe the personnel qualifications!



Warning

The device is not a toy and does not belong in the hands of children.



Warning

Risk of suffocation!
Do not leave the packaging lying around. Children may use it as a dangerous toy.



Caution

Vibration emissions can cause a health hazard if the device is used for an extended period of time or if it is not properly handled and maintained.



Caution

Keep a sufficient distance from heat sources.

Note

If you store or transport the device improperly, the device may be damaged.
Note the information regarding transport and storage of the device.

Behaviour in the event of an emergency / emergency stop function

Emergency stop:

Removing the battery results in the function of the device stopping immediately. Leave the battery out in order to secure the device against accidental switch-on.

Behaviour in the event of an emergency:

1. Switch the device off.
2. In the event of an emergency, remove the battery from the device: Hold the release button of the battery and pull the battery off the device as described in chapter "Removing the battery".
3. Do not insert the battery if the device is defective.

Information about the device

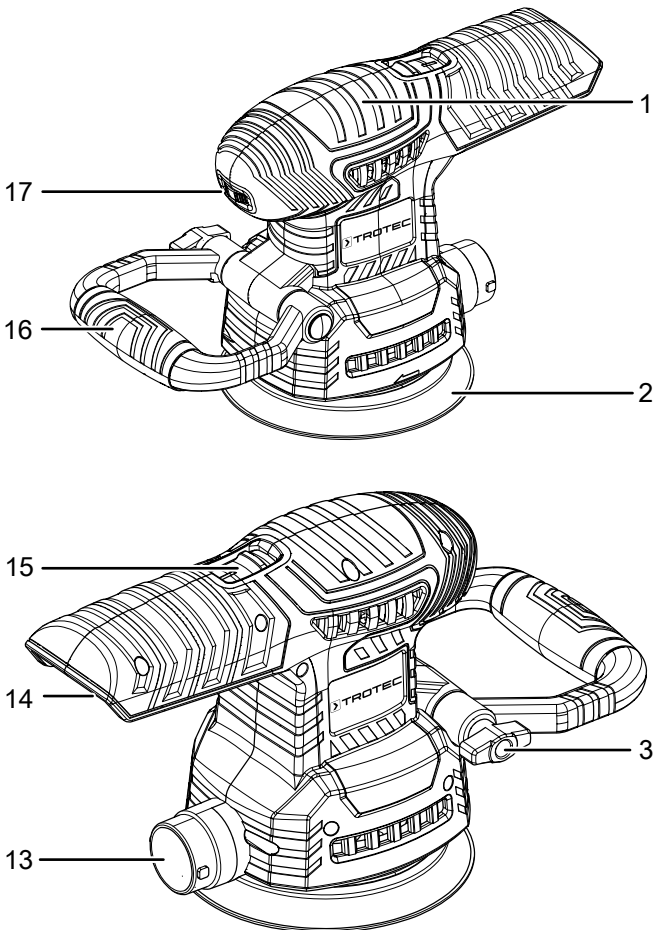
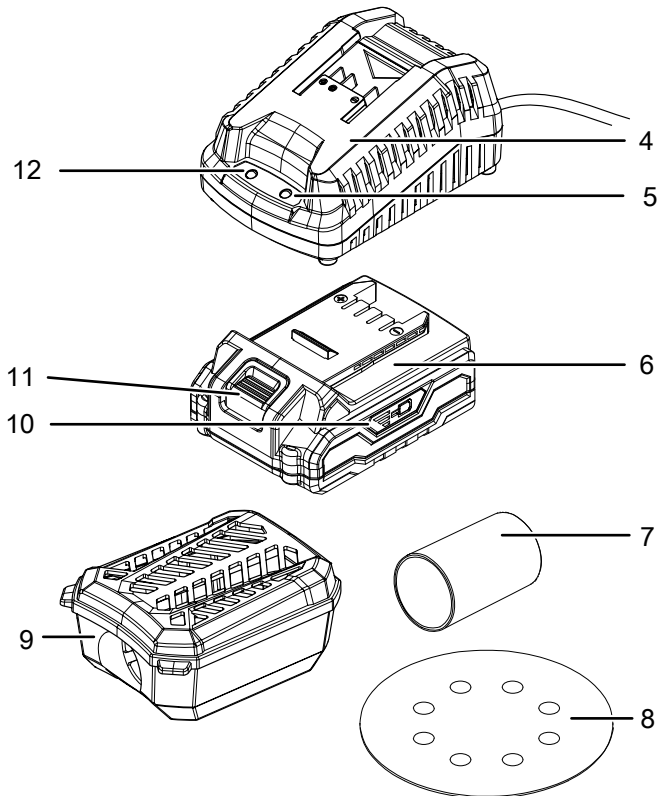
Device description

The device PESS 10-20V is a cordless random orbital sander for dry sanding that is suitable for sanding wooden surfaces, plastic, metal, spackle and paints on larger surfaces.

For material-compatible working, the nominal oscillation rate can be set for 6 steps within a range of 6,000 to 24,000 rpm at the setting wheel. The device is equipped with an on / off switch for continuous operation as well as an additional handle adjustable in six positions to enable convenient and fatigue-free working. The tool-free Velcro® system permits a simple exchange of sanding sheets. A clean working environment can be accomplished by use of the dust collector with integrated filter and the reducer for external dust extraction.

The battery comes with its own battery level indication. As a result you can check the current charging status without having to connect it to the device.

Device depiction

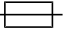



No.	Designation
1	Device handle
2	Random orbital sanding plate
3	Wing nut
4	Quick charger
5	Red battery LED (battery charging)
6	Battery
7	Adapter for external dust extraction
8	Sanding sheet
9	Dust collector with filter
10	Battery level indication
11	Release button
12	Green battery LED (quick charger ready for operation)
13	Dust extraction connection
14	Battery holder
15	On/off switch
16	Additional handle
17	Setting wheel oscillation rate selection

Scope of delivery

- 1 x Device PESS 10-20V
- 1 x Rechargeable battery
- 1 x Quick charger
- 1 x Dust collector
- 1 x Adapter for external dust extraction
- 4 x Sanding sheet for wood, grain size: 60/80/120/240
- 1 x Transport case
- 1 x Manual

Technical data

Parameter	Value
Model	PESS 10-20V
Nominal voltage	20 V ---
Nominal oscillation rate	6,000 – 24,000 rpm
Idle speed n_0	3,000 – 12,000 rpm
Orbit diameter	3.2 mm
Sanding plate diameter	125 mm
Weight	0.8 kg
Battery	Multiflex 20 – 2.0 DC
Type	Li-ion
Nominal voltage	20 V ---
Nominal capacity	2.0 Ah
Rechargeable cells	5 cells
Capacity	40 Wh
Quick charger	Multiflex 20 – 2.0 AC
Input	
Nominal voltage	230 – 240 V / 50 Hz
Power input	65 W
Output	
Nominal voltage	21.5 V ---
Charging current	2.4 A
Fusing 	3.15 A (slow-blowing)
Charging time	1 h
Cable length	1.5 m
Protection class	II (double insulation) / 
Vibration information according to EN 62841-2-4	
Vibration emission value main handle a_h	10.26 m/s^2
Vibration emission value front handle a_h	8.69 m/s^2
Uncertainty K	1.5 m/s^2

Parameter	Value
Sound values according to EN 62841-2-4	
Sound pressure level L_{pA}	77.9 dB(A)
Sound power L_{WA}	88.9 dB(A)
Uncertainty K	3 dB



Wear hearing protection.

Excessive noise can lead to hearing loss.

Information on noise and vibration:

- The specified total vibration **and noise emission values** were measured by means of a test procedure standardized in EN 62841 and can be consulted for the comparison of one power tool with another.
- The specified total vibration **and noise emission values** can also be used for preliminary load assessment.



Caution

Vibration emissions can cause a health hazard if the device is used for an extended period of time or if it is not properly handled and maintained.

- The actual vibration **and noise emission** may differ from the stated values during operation of the power tool. This depends on how the power tool is used and especially on the type of workpiece being processed. Try to keep the vibration load to a minimum. Exemplary measures for reducing the vibration load include wearing gloves during operation of the tool and the limitation of working hours. All parts of an operating cycle must be considered for this (e.g. times at which the power tool is switched off and times when it is switched on but runs without load).

Transport and storage

Note

If you store or transport the device improperly, the device may be damaged.

Note the information regarding transport and storage of the device.

Transport

For transporting the device, use the transport case included in the scope of delivery in order to protect the device from external influences.

Before transporting the device, observe the following:

- Hold onto the mains plug while pulling the power cable of the charger out of the mains socket.
- Allow the device to cool down.
- Remove the battery from the device.
- If attached, disconnect the dust extraction system from the device.

The supplied Li-ion batteries are subjects to the requirements of dangerous goods legislation.

Observe the following when transporting or shipping Li-ion batteries:

- The user may transport the batteries by road without any additional requirements.
- If transport is carried out by third parties (e.g. air transport or forwarding company), special requirements as to packaging and labelling must be observed. This includes consulting a dangerous goods specialist when preparing the package.
 - Only ship batteries if their housing is undamaged.
 - Mask open terminals with tape and pack the battery in a way that it cannot move inside the packaging.
 - Please also observe any other national regulations.

Storage

Before storing the device, proceed as follows:

- Hold onto the mains plug while pulling the power cable of the charger out of the mains socket.
- Allow the device to cool down.
- Remove the battery from the device.
- If attached, disconnect the dust extraction system from the device.
- Clean the device as described in the Maintenance chapter.
- For storing the device, use the transport case included in the scope of delivery in order to protect the device from external influences.
- Do not store Li-ion batteries which are completely discharged. Storing discharged batteries can lead to a deep discharge and thus damage the battery.

When the device is not being used, observe the following storage conditions:

- Dry and protected from frost and heat
- Ambient temperature below 45 °C
- Protected from dust and direct sunlight inside the transport case

Start-up

Unpacking the device

- Take the transport case out of the packaging.



Warning of electrical voltage

Electric shock from insufficient insulation.

Check the device for damages and proper functioning before each use.

If you notice damages, no longer use the device.

Do not use the device when the device or your hands are damp or wet!

- Check the contents of the transport case for completeness and look for damages.



Warning

Risk of suffocation!

Do not leave the packaging lying around. Children may use it as a dangerous toy.

- Dispose of the packaging material according to the national regulations.

Charging the battery

Note

The battery can be damaged in case of improper charging.

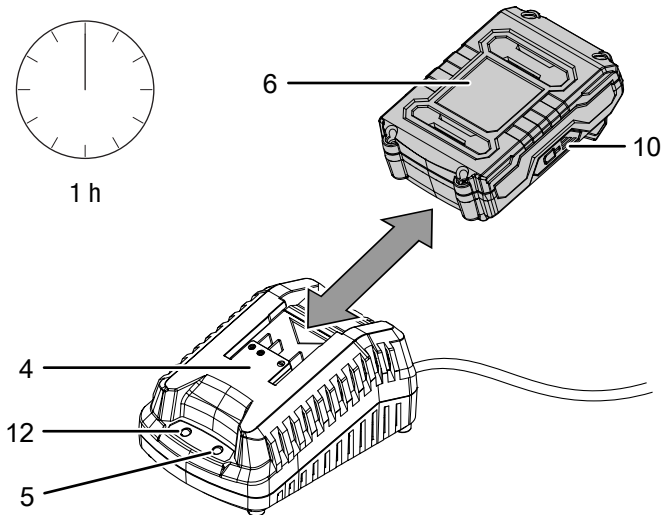
Remove the charger's mains plug before inserting or removing the battery.

Never charge the battery at ambient temperatures below 10 °C or above 40 °C.

The battery is partially charged upon delivery to avoid damage to the battery caused by a deep discharge.

Prior to initial start-up and when the battery is low (only the red LED in the battery level indication (10) is illuminated), the battery should be charged. To do so, please proceed as follows:

1. Slide the battery (6) onto the quick charger (4) as depicted until the battery locks in place.

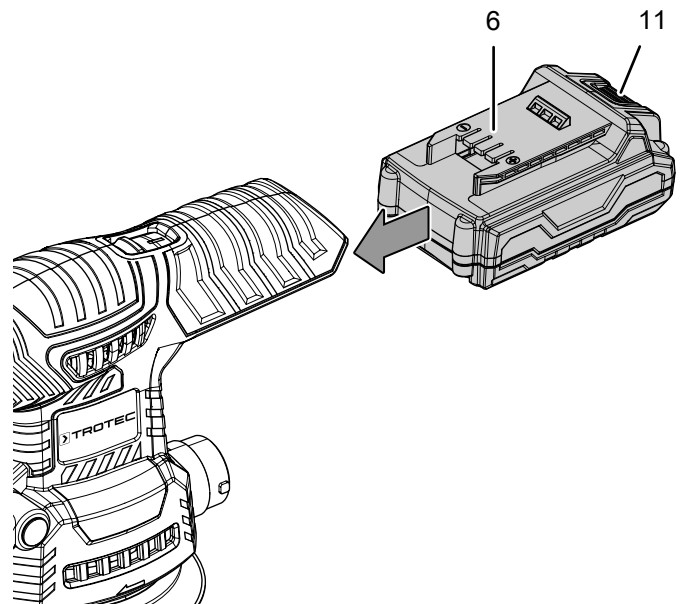


2. Insert the mains plug of the quick charger (4) into a properly fused mains socket.
 - ⇒ The red battery LED (5) lights up.
 - ⇒ Charging requires approx. one hour.
3. Wait until the red battery LED (5) goes off and the green battery LED (12) lights up.
 - ⇒ The battery (6) is fully charged.
4. Hold onto the mains plug while pulling the power cable of the quick charger (4) out of the mains socket.
 - ⇒ The battery (6) and the quick charger (4) may have become warm during charging.

Allow the battery (6) to cool down to room temperature.
5. Take the battery (6) out of the quick charger (4) by pressing and holding the release button (11) and pulling the battery (6) off the quick charger (4).

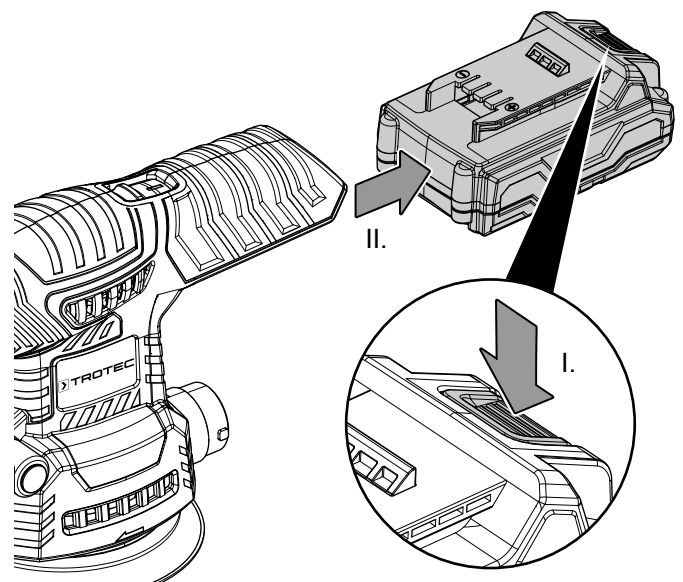
Inserting the battery

1. Slide the battery (6) into the holder until it locks in place.



Removing the battery

1. Detach the battery (6) from the device by pressing and holding the unlocking button (11, I.) and pulling the battery off the device (II.).



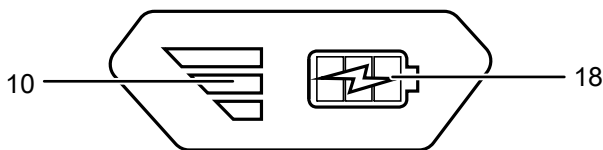
2. If required, charge the battery (6) as described in the section *Charging the battery*.

Checking the battery charging status

The battery comes with an integrated battery level indication. The battery status is displayed as follows by the three LEDs of the battery level indication (10):

LED colour	Meaning
Green – Orange – Red	maximum charge / power
Orange – Red	medium charge / power
Red	weak charge – recharge the battery

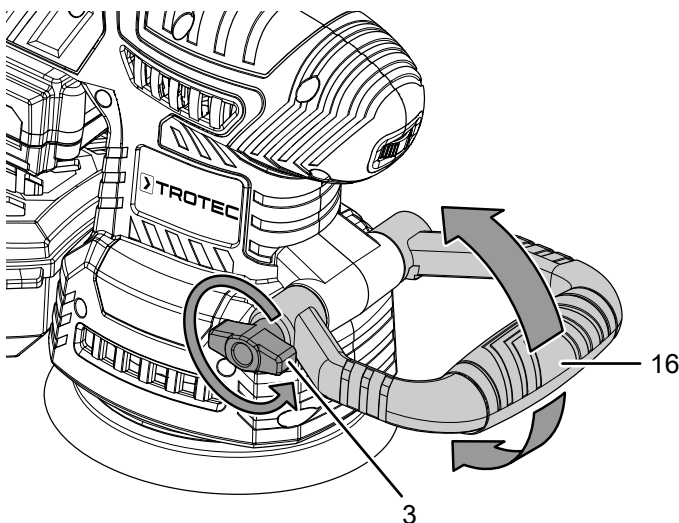
1. Press on the battery icon (18) on the battery (6).
⇒ You can read the battery status from the battery level indication (10).



Adjusting the position of the additional handle

You can adjust the additional handle (16) in six positions. As a result the additional handle (16) might be located in a more favourable position – depending on the application condition.

1. Loosen the wing screw (3) by turning it in counter-clockwise direction.
2. Turn the additional handle (16) into the desired position.



3. Lock the new position by tightening the wing screw (3) in clockwise direction.

Changing the sanding sheet

Note

Make sure to exchange the sanding sheet in due time. Otherwise the sanding sheet might tear and cause damage to the workpiece.

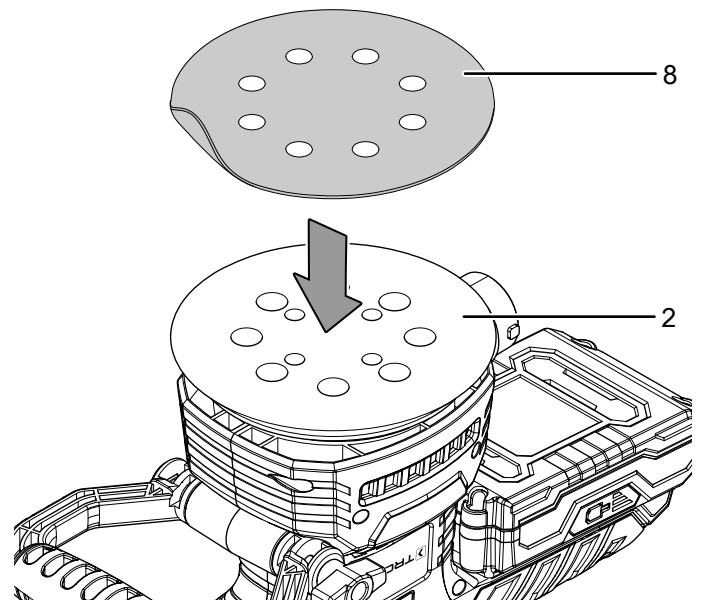
Note

The sanding sheet must not be kinked.

The sanding sheet can be exchanged for processing different materials. Moreover available are different grain sizes for coarse to fine sanding. It might be necessary to adjust the speed according to the new sanding sheet.

You can attach the sanding sheet to the sanding plate using the Velcro® backing.

1. If necessary, remove the sanding sheet that had already been attached to the sanding plate (2).
2. Before attaching a new sanding sheet, remove dust and dirt from the sanding plate e.g. using a brush. Tap off the dust from the sanding plate's Velcro® backing to ensure optimum adhesion.
3. Place the sanding sheet (8) with its smooth bottom side on the sanding plate (2) so that it fits exactly. The dust extraction holes of the sanding sheet (8) and sanding plate (2) should be aligned precisely.



4. Firmly press the sanding sheet (8) down.
5. To exchange or remove the sanding sheet (8), simply pull it off the sanding plate (2).

Assembling the dust collector



Warning of explosive substances

Wood dust inside the dust collector can self-ignite in case of flying sparks. Do not use the dust extraction system when grinding metals!

Wood dust can intermix with varnish residues or other chemical substances.

Risk of fire and explosion!

Avoid overheating of the workpiece and the device.

Empty the dust collector or the vacuum cleaner's dust collection bag at regular intervals.



Wear a protective mask

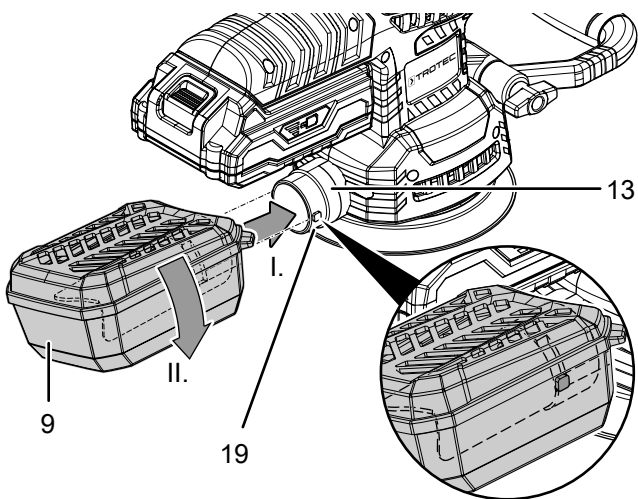
Wear an appropriate protective mask when working with the device.

Note

The cover with the filter must point upwards.

Otherwise the dust collector cannot be installed.

1. Push the dust collector (9) at a slight angle (turned counter-clockwise) onto the dust extraction connection (13). The two lugs (19) at the dust extraction connection (13) fit into the two grooves of the dust collector (9).
2. Then turn the dust collector (9) clockwise to lock it in place.



Mounting the external dust extraction system

Alternatively, you can also connect the dust extraction system to the device.



Warning of explosive substances

Wood dust inside the dust collector can self-ignite in case of flying sparks. Do not use the dust extraction system when grinding metals!

Wood dust can intermix with varnish residues or other chemical substances.

Risk of fire and explosion!

Avoid overheating of the workpiece and the device.

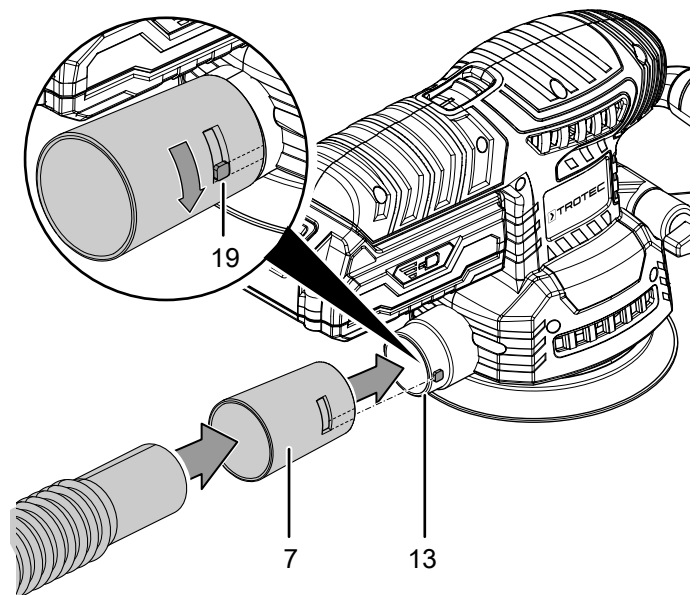
Empty the dust collector or the vacuum cleaner's dust collection bag at regular intervals.



Caution

Use a special vacuum cleaner to suck off harmful or toxic materials.

1. Push the adapter for external dust extraction (7) onto the dust extraction connection (13). The two lugs (19) at the dust extraction connection (13) fit into the two grooves of the adapter for external dust extraction (7).
2. Then turn the adapter for external dust extraction (7) clockwise to lock it in place.
3. Connect a suitable vacuum cleaner (e.g. industrial vacuum cleaner) to the adapter (7). If anything is unclear or if you have questions, please contact the manufacturer of your vacuum cleaner.

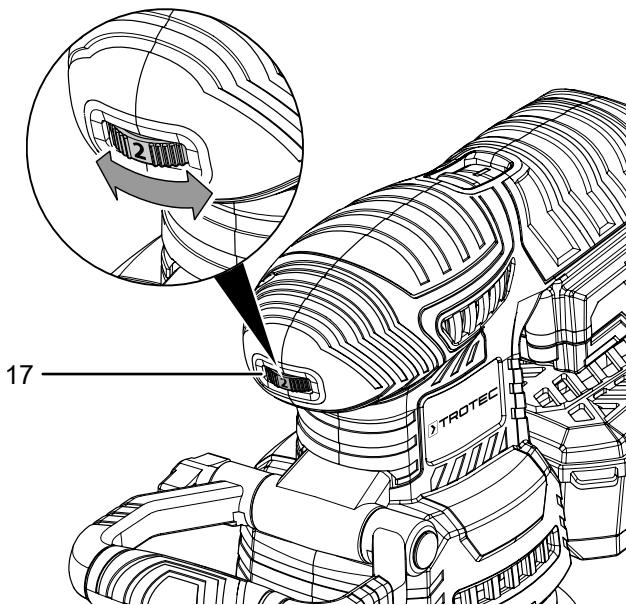


Oscillation rate selection

By use of the setting wheel for oscillation rate selection you can change the oscillation rate at any time, even during operation of the device. The required oscillation rate depends on the material and the operating conditions and can be determined by way of field-testing. For sanding harder materials such as wood or metal we recommend a higher oscillation rate, for softer materials e.g. non-ferrous metals and varnishes a low oscillation rate is sufficient.

The setting range covers the levels 1 – 6 (6,000 – 24,000 rpm).

1. Turn the setting wheel (17) to the desired oscillation rate.



Operation

Tips and notes for handling the orbital sander

General information:

- Only use sanding sheets which are approved for the device used.
- Before every application, make sure that you have selected the correct sanding sheet for the intended use. A coarse grit is suited for rough grinding, a fine grain size, on the other hand, is more appropriate for fine and finish grinding.
- Do not process wood and metal using the same sanding sheet.
- Only use intact, flawless sanding sheets. Damaged sanding sheets could tear and cause damage to the workpiece. Exchange sanding sheets in due time.
- Clamp the workpiece unless it is firmly and safely positioned by its own weight.
- Do not overload the device so that it comes to a standstill.
- Keep the venting slots clear to prevent the motor from overheating.

Sanding:

- The oscillation rate and grain size of the sanding sheet define the removal rate and the surface finish.
- Always sand in parallel to the grinding path ensuring an appropriate overlap.
- Do not apply excessive contact pressure. Increased contact pressure leads to a greater wear of the device and the sanding sheet.
- If the material's surface is untreated, start grinding with coarse or medium grain size and finish off with a fine grit.
- Best use a coarse grain size (40 or 60 grit) for removing paint and for rough grinding particularly raw wood. For surface-grinding undressed or sawn timber use abrasive belts of medium grit (grain size 80, 100 or 120). Use a fine grit (grain size 180, 240 or 320) to smoothen and fine-grind timber and surfaces coated with old paint as well as for dry sanding untreated wooden surfaces.
- Avoid the accumulation of dust at the workplace, always use a dust extraction system when grinding.
- Use a dust extraction system when grinding off residual paint. Paint residues might smelt and then smudge both workpiece and sanding sheet.
- Switch the device on before applying it to the workpiece. Once the grinding process is concluded, lift the device off the workpiece before you switch it off.

The non-binding values listed in the table below shall serve as a point of reference for selecting the right sanding sheet for the task at hand:

For processing paint and lacquer layers or primers such as filler and spackle	Grain size:	40 – 240
For grinding off paint	coarse	40, 60
For sanding primer paint	medium	80, 120
For final sanding of primers before lacquering	fine	180, 240
For processing any wood-based material	grain size:	40 – 240
For pre-grinding e.g. of rough, unplaned beams and boards	coarse	40, 60
For surface grinding and levelling of small irregularities	medium	80, 100, 120
For fine and finish grinding of hard wood	fine	180, 240

Switching the device on and off

Wear your personal protective equipment when working with the device.



Warning

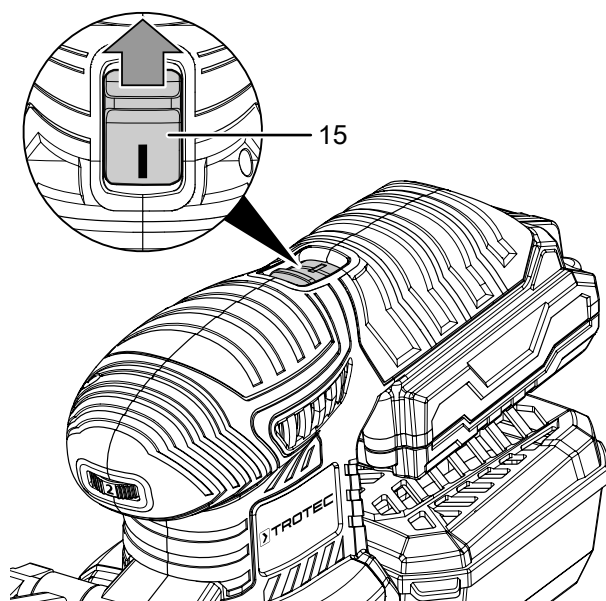


The event of a temporary power failure can lead to the device accidentally switching on.

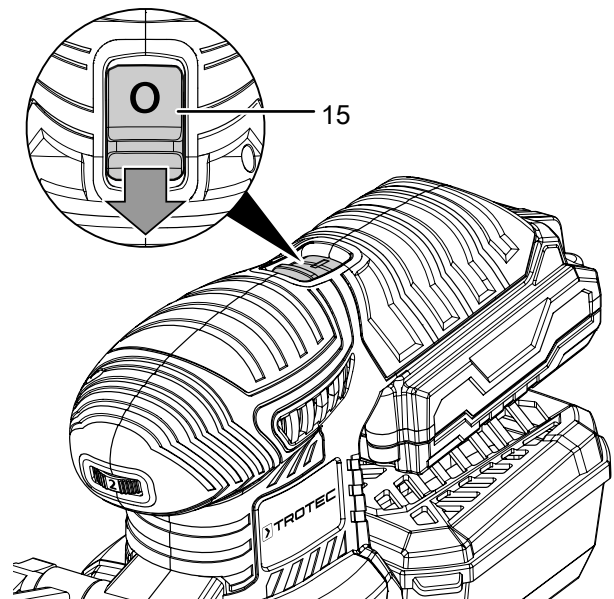
Even if there is no voltage present, always switch the device off using the on/off switch.

Hold onto the mains plug while pulling the power cable out of the mains socket.

- Slide the on/off switch (15) to I.



- Position the device on the workpiece.
- Lift the device off the workpiece before you switch it off.
- To switch the device off, slide the on/off switch (15) to 0.



Shutdown



Warning of electrical voltage

Do not touch the mains plug with wet or damp hands.

- Hold onto the mains plug while pulling the power cable of the charger out of the mains socket.
- Remove the battery from the device (see Start-up chapter).
- If attached, disconnect the dust extraction system from the device.
- Clean the device according to the Maintenance chapter.
- Store the device according to the Transport and storage chapter.

Available accessories



Warning

Only use accessories and additional equipment specified in the instructions.

Using insertion tools or accessories other than those specified in the instructions may cause a risk of injury.

Designation	Article number
Multiflex 20V 2.0 Ah spare battery	6.200.000.303
Multiflex 20V 4.0 Ah spare battery	6.200.000.320

Errors and faults

The device has been checked for proper functioning several times during production. If malfunctions occur nonetheless, check the device according to the following list.

Troubleshooting tasks which require the housing to be opened must only be carried out by an authorized specialist electrical company or by Trotec.

Light smoke or odour is emitted during the first use:

- This is not a fault. These phenomena disappear after a brief runtime.

The battery does not charge:

- Check whether the battery is correctly connected to the quick charger.
Slide the battery into the quick charger in a way that the battery terminals engage in the quick charger. The battery must lock in place in the quick charger.
- Check the power connection.
- Check the power cable and mains plug for damages.
- Check the fuse (home).
- Check the quick charger for damages. Should the quick charger be damaged, stop using it. Contact the Trotec customer service.
- Check the battery terminals for dirt. Remove any dirt.
- The battery might be defective and have to be replaced. Only use batteries of the same type.

The device does not start:

- The battery power might be too low. Recharge the battery.
- Check whether the battery is correctly connected to the device.
Slide the battery onto the device in a way that the battery terminals engage. The battery must lock in place in the device.
- Check the battery terminals for dirt. Remove any dirt.



Info

Wait for at least 10 minutes before switching the device back on.

The sanding plate does not move although the motor is running:

- Make sure that there is no workpiece debris blocking the drive. Remove the blockages, if any.

The sanding plate is loose:

- Check the sanding plate for tight fit. If necessary, tighten the screws.

The motor slows down:

- Check whether the device is overloaded by the workpiece.
- Reduce the pressure applied on the workpiece.
- Check whether the workpiece is suitable for the tasks to be carried out.

The surface of the workpiece is not smooth or the grinding performance is insufficient:

- Check whether the selected sanding sheet is suitable for the material to be processed.
- If the sanding sheet is worn, replace it with a new one, see chapter Changing the sanding sheet.
- Check the oscillation rate setting. It must be suitable for both the sanding sheet and the material.
- Select a higher oscillation rate by turning the setting wheel for the oscillation rate selection to the desired level.

The sanding sheet wears off quickly:

- Check whether the selected sanding sheet is suitable for the material to be processed.
- Reduce the pressure applied on the workpiece.
- Select a lower oscillation rate by turning the setting wheel for the oscillation rate selection to the desired level.

The device becomes hot:

- Make sure not to exert too much pressure on the device during operation.
- Select a lower oscillation rate by turning the setting wheel for the oscillation rate selection to the desired level.
- Check whether the selected sanding sheet is suitable for the tasks to be carried out.
- Keep the venting slots clear to prevent the motor from overheating.
- Wait for 10 minutes before switching the device back on.

The device still does not operate correctly after these checks:

Please contact the customer service. If necessary, bring the device to an authorised specialist electrical company or to Trotec for repair.

Maintenance

Activities required before starting maintenance



Warning of electrical voltage

Do not touch the mains plug or the battery with wet or damp hands.

- Switch the device off.
- Allow the device to cool down completely.
- Remove the battery from the device.



Warning of electrical voltage

Maintenance tasks which require the housing to be opened must only be carried out by authorised specialist companies or by Trotec.

Notes on maintenance

Inside the device, there are no parts that need to be maintained or lubricated by the user.

Safety signs on the battery and the charger

Check the safety signs attached to the battery and the charger at regular intervals. Replace illegible safety signs!

Cleaning

The device should be cleaned before and after each use.



Warning of electrical voltage

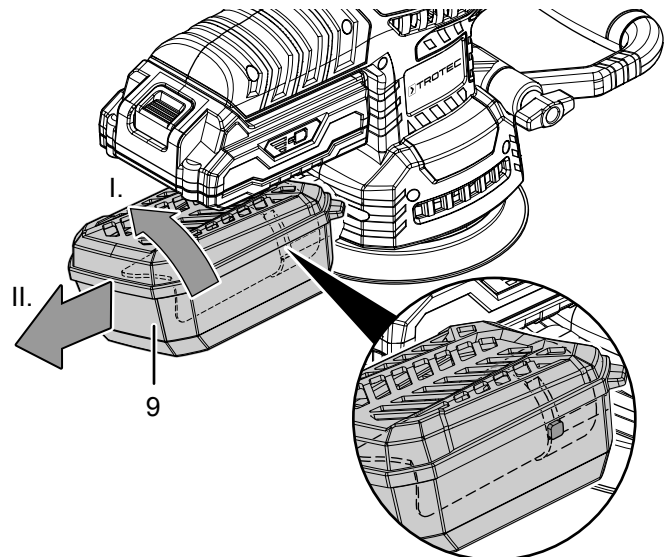
There is a risk of a short-circuit due to liquids penetrating the housing!
Do not immerse the device and the accessories in water. Make sure that no water or other liquids can enter the housing.

- Clean the device with a soft, damp and lint-free cloth. Make sure that no moisture enters the housing. Protect electrical components from moisture. Do not use any aggressive cleaning agents such as cleaning sprays, solvents, alcohol-based or abrasive cleaners to dampen the cloth.
- Dry the device with a soft, lint-free cloth.
- Keep the connecting terminals on the device and charger clean.
- Remove dust and chips from the chip ejector. If the chip ejector is blocked, clean it with suitable means (e.g. compressed air).

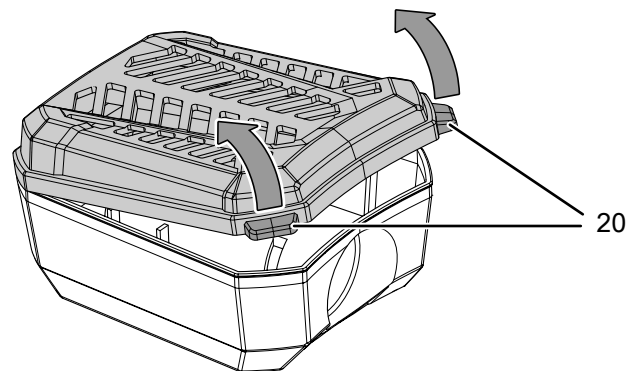
Emptying / cleaning the dust collector

The device accomplishes a high removal rate. For optimum working conditions regularly empty and clean the dust collector.

1. Turn the dust collector (9) counter-clockwise and detach it from the dust extraction connection (13).

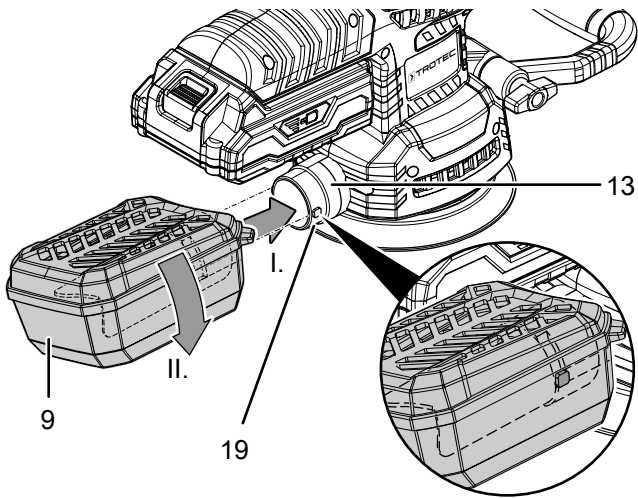


2. Open the dust collector (9) by pulling the tab (20).



3. Remove the cover from the dust collector.
4. Tap both parts of the dust collector against a solid surface to loosen the dust. Clean the filter.
5. Empty both parts completely. Use a brush to remove adherent abrasive dust.
6. Fit the cover back on the dust collector (9).
7. Push the dust collector (9) at a slight angle (turned counter-clockwise) onto the dust extraction connection (13) again. The two lugs (19) at the dust extraction connection (13) fit into the two grooves of the dust collector (9).

8. Then turn the dust collector (9) clockwise to lock it in place.



Cleaning / changing the filter insert of the dust collector

The filter insert has to be cleaned as soon as it is dirty. Check the filter insert for dirt once or twice a year.

The filter insert should be exchanged in case of heavy soiling or damage.

1. Remove the filter retainer with the filter insert from the dust collector cover.
2. Clean the filter insert with warm water mixed with a neutral cleaning agent.
3. Allow the filter insert to dry completely. Do not put a wet filter insert into the dust collector!
4. Fit the filter retainer with the filter insert back into the dust collector cover.

Disposal



The icon with the crossed-out waste bin on waste electrical or electronic equipment stipulates that this equipment must not be disposed of with the household waste at the end of its life. You will find collection points for free return of waste electrical and electronic equipment in your vicinity. The addresses can be obtained from your municipality or local administration. You can also find out about other return options that apply for many EU countries on the website <https://hub.trotec.com/?id=45090>. Otherwise, please contact an official recycling centre for electronic and electrical equipment authorised for your country.

The separate collection of waste electrical and electronic equipment aims to enable the re-use, recycling and other forms of recovery of waste equipment as well as to prevent negative effects for the environment and human health caused by the disposal of hazardous substances potentially contained in the equipment.



Li-Ion In the European Union, batteries and accumulators must not be treated as domestic waste, but must be disposed of professionally in accordance with Directive 2006/66/EC of the European Parliament and of the Council of 6 September 2006 on batteries and accumulators. Please dispose of batteries and accumulators according to the relevant legal requirements.

Declaration of conformity

Declaration of conformity in accordance with the EC Machinery Directive 2006/42/EC, Annex II, Part 1, Section A

We – Trotec GmbH – declare in sole responsibility that the product designated below was developed, constructed and produced in compliance with the requirements of the EC Machinery Directive in the version 2006/42/EC.

Product model / Product: PESS 10-20V
Product type: Cordless random orbital sander
Year of manufacture as of: 2022

Relevant EU directives:

- 2011/65/EU: 01/07/2011
- 2012/19/EU: 24/07/2012
- 2014/30/EU: 29/03/2014
- 2015/863/EU: 31/03/2015

Applied harmonised standards:

- EN 55014-1:2017+A11:2020
- EN 62841-1:2015
- EN 62841-1:2015/AC:2015
- EN 62841-2-4:2014

Applied national standards and technical specifications:

- EN IEC 55014-1:2021
- EN 55014-2:2015
- EN IEC 55014-2:2021
- EN 61000-3-3:2013/A1:2019
- EN IEC 61000-3-2:2019

Manufacturer and name of the authorised representative of the technical documentation:

Trotec GmbH
Grebener Straße 7, D-52525 Heinsberg
Phone: +49 2452 962-400
E-mail: info@trotec.de

Place and date of issue:
Heinsberg, 10.03.2022



Detlef von der Lieck, Managing Director

Trotec GmbH

Grebener Str. 7
D-52525 Heinsberg

☎ +49 2452 962-400

☎ +49 2452 962-200

✉ info@trotec.com

www.trotec.com