

EN

ORIGINAL INSTRUCTIONS
CABLE DRUM



Table of contents

Notes regarding the instructions 2

Safety 2

Information about the device..... 4

Transport and storage..... 6

Operation 6

Errors and faults..... 6

Maintenance 7

Cleaning 7

Disposal 7

Notes regarding the instructions

Symbols



Warning of electrical voltage

This symbol indicates dangers to the life and health of persons due to electrical voltage.



Warning

This signal word indicates a hazard with an average risk level which, if not avoided, can result in serious injury or death.



Caution

This signal word indicates a hazard with a low risk level which, if not avoided, can result in minor or moderate injury.

Note

This signal word indicates important information (e.g. material damage), but does not indicate hazards.



Info

Information marked with this symbol helps you to carry out your tasks quickly and safely.



Follow the manual

Information marked with this symbol indicates that the instructions must be observed.

You can download the current version of the instructions and the EU declaration of conformity via the following link:



PVD1EU



<https://hub.trotec.com/?id=47025>

Safety

Read this manual carefully before starting or using the product. Always store the manual in the immediate vicinity of the product or its site of use.



Warning

Read all safety warnings and all instructions.

Failure to follow the warnings and instructions may result in electric shock, fire and/or serious injury.

Save all warnings and instructions for future reference.

- Do not use the device in potentially explosive rooms.
- Do not use the device in aggressive atmosphere.
- Do not use the device with wet or damp hands.
- Do not immerse the device in water.
- This appliance is not a toy. Keep away from children and animals. Do not leave the device unattended during operation.
- Check the device for potential damage before each application. Do not use any defective devices or device parts.
- Never use the device if electric cables or the power connection are damaged!
- Insert the mains plug into a properly secured mains socket.
- Observe the following safety rules when performing work on the electrical equipment: 1. De-energise, 2. Secure against restart, 3. Verify de-energised state, 4. Earth and short-circuit, 5. Cover or fence off live parts.
- Before carrying out maintenance, care or repair work on the device, remove the mains plug from the mains socket. Hold onto the mains plug while doing so.

- Do not under any circumstances use the device if you detect damages on the mains plug or power cable. If the supply cord is damaged, it must be replaced by the manufacturer, his service agent or similarly qualified persons in order to avoid a hazard. Defective power cables pose a serious health risk!
- Observe the storage and operating conditions as given in the Technical data chapter.
- Do not expose the device to heat or direct sunlight.
- Do not remove any safety signs, stickers or labels from the device. Keep all safety signs, stickers and labels in legible condition.
- Any operation other than as described in this manual is prohibited. Non-observance renders all claims for liability and guarantee null and void.

Intended use

The device serves as extension line for electrical connections.

The following max. connected loads must not be exceeded:

- 3,200 W / 230 V (cable unrolled)
- 1,100 W / 230 V (cable rolled up)

Improper use

Do not use the device in potentially explosive areas. Do not place the device on wet or flooded ground.

Any unauthorised changes, modifications or alterations to the device are forbidden.

Personnel qualifications

People who use this device must:

- have read and understood the instructions, especially the Safety chapter.

Initial start-up and maintenance tasks which require the housing to be opened must only be carried out by qualified electricians.

Safety signs and labels on the device

Note

Do not remove any safety signs, stickers or labels from the device. Keep all safety signs, stickers and labels in legible condition.

The following label is attached to the device in German:





Cable drum

WARNING! IF THE OVERHEATING PROTECTION HAS TRIPPED: DISCONNECT THE MAINS PLUG → PRESS THE RED BUTTON BEFORE UNWINDING, REMOVE THE PLUGS FROM THE SOCKETS.

DO NOT CONNECT SEVERAL DEVICES BY PLUGGING ONE INTO ANOTHER! DO NOT OPERATE WHEN COVERED!

The following symbols are indicated on the label:

Symbols	Meaning
 Max. 3,200 W / 230 V	The symbol on the device indicates that the maximum connected load of 3,200 W / 230 V must not be exceeded when the cable is unrolled.
 Max. 1,100 W / 230 V	The symbol on the device indicates that the maximum connected load of 1,100 W / 230 V must not be exceeded when the cable is rolled up.

Residual risks



Warning of electrical voltage

Electric shock due to insufficient insulation! Check the device for damages and proper functioning before each use.

If you detect damages, do not use the device any longer.

Do not use the device when either the device or your hands are damp or wet!

Do not use the device if the housing is open.



Warning of electrical voltage

Before any work on the device, remove the mains plug from the mains socket!

Do not touch the mains plug with wet or damp hands.

Hold onto the mains plug while pulling the power cable out of the mains socket.



Warning

Risk of suffocation!

Do not leave the packaging lying around. Children may use it as a dangerous toy.



Warning

The device is not a toy and does not belong in the hands of children.



Warning

Dangers can occur at the device when it is used by untrained people in an unprofessional or improper way! Observe the personnel qualifications!



Caution

Keep a sufficient distance from heat sources.

Note

To prevent damages to the device, do not expose it to extreme temperatures, extreme humidity or moisture.

Note

Do not use abrasive cleaners or solvents to clean the device.

Behaviour in the event of an emergency

1. In an emergency, disconnect the device from the mains feed-in:
Pull the mains plug.
2. Do not reconnect a defective device to the mains.

Information about the device

Device description

The device is fitted with a cable of 20 m length.

The cable comes equipped with four splash-proof safety sockets with hinged covers meeting the requirements of protection type IP44.

An ergonomic carrying handle facilitates transport.

The cable holder is used for safe cable and plug storage.

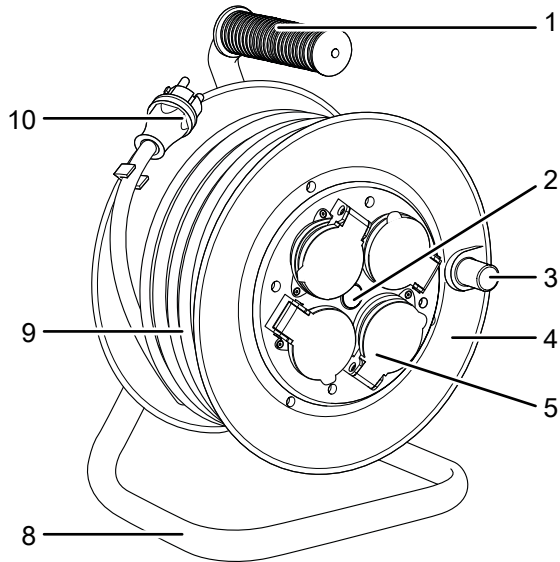
The wide stand ensures a secure footing of the cable drum.

A thermal circuit breaker and a central braking system for the drum provide additional safety.

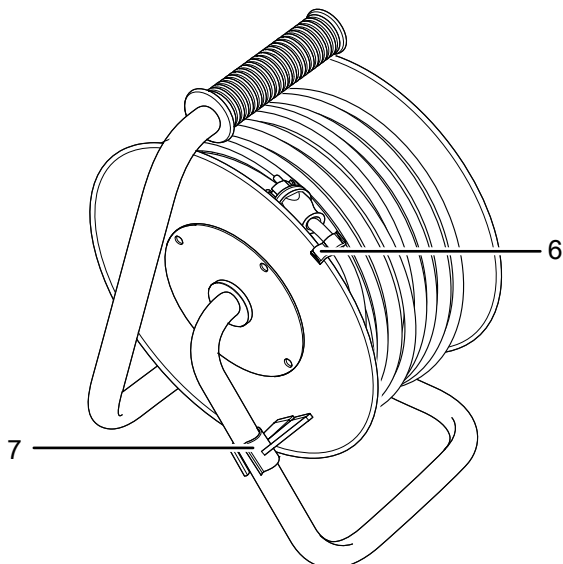
In addition, the device is provided with an increased protection against accidental contact, which prevents an electric shock when reaching into the socket.

Device depiction

Front view




Rear view



No.	Designation
1	Carrying handle
2	Thermal protection switch
3	Crank
4	Drum
5	Safety socket
6	Cable holder
7	Drum brake
8	Foot
9	Cables
10	Plug

Technical data

Parameter	Value
Cable length	20 m
Cable cross-section	1.5 mm ²
Max. power, rolled up	1100 W
Max. power, unreeled	3200 W
Nominal voltage	230 V
Nominal current	16 A
Number of sockets	4
Protection class	I / 
Type of protection	IP 44
Storage (temperature)	-5 °C to 40 °C
Dimensions (length x width x height)	175 mm x 230 mm x 320 mm
Weight (packaging excluded)	3 kg

Transport and storage

Note

If you store or transport the device improperly, the device may be damaged.

Note the information regarding transport and storage of the device.

Transport

To make the device easier to transport, it is fitted with a carry handle.

Before transporting the device, observe the following:

- Pull the plug (10) from the mains socket.
- Disconnect all consumers from the safety sockets (5).
- Roll up the cable completely. Lock the cable drum with the drum brake to prevent unintentional unwinding.
- Secure the end of the cable with the plug in the cable holder (6).

Storage

When the device is not being used, observe the following storage conditions:

- Store the device in a dry location and protected from frost and heat.
- Store the device in a location where it is protected from dust and direct sunlight.
- If required, use a cover to protect the device from invasive dust.
- Keep the storage temperature within the specified range given in the Technical data chapter.

Operation

Connecting the cable drum

- Unroll the cable completely to operate the consumer with a total power of up to 3200 W.
- Do not create tripping hazards when laying the cable.
- Insert the mains plug into a properly fused mains socket.
- Connect consumers to the cable drum.

Thermal protection switch

The cable drum is equipped with a thermal circuit breaker interrupting the current flow in case of overheating of the cable drum.

The thermal circuit breaker can be tripped if the cable drum has not been unrolled completely or if the maximum rated power of the consumer is too high.

Please proceed as follows if the thermal circuit breaker is activated:

1. Allow the device to cool down completely.
 2. Pull the plug (10) from the socket.
 3. Disconnect the consumer from the safety socket (5).
 4. Unroll the cable completely if it is not already rolled off.
 5. Actuate the thermal circuit breaker (2).
- ⇒ Now you can use the cable drum again.

Errors and faults

If malfunctions occur, check the device according to the following list.

- Check the cable for damage.
- Check whether the mains plug is inserted into a properly secured socket.
- Check whether the thermal circuit breaker has been activated and, if necessary, deactivate it as described in chapter Operation.

Maintenance



Warning of electrical voltage

Before checking the device, remove the mains plug from the mains socket by holding onto the mains plug.



Warning of electrical voltage

There is a risk of an electric shock when touching damaged, open or live parts.
Never clean a live cable drum or touch exposed cables or parts of the device.
Never immerse the cable drum in water.

Visual inspection

Check the device for external damage before every start-up. Should you detect any damage at the device or its mains cable, have it fixed by a qualified electrician.

Cleaning



Warning of electrical voltage

Before any work on the device, remove the mains plug from the mains socket!
Do not touch the mains plug with wet or damp hands. Hold onto the mains plug while pulling the power cable out of the mains socket.

Clean the device with a soft, damp and lint-free cloth. Ensure that no moisture enters the housing. Protect electrical components from moisture. Do not use any aggressive cleaning agents such as cleaning sprays, solvents, alcohol-based or abrasive cleaners to dampen the cloth.

Wipe the housing dry after cleaning.

Disposal

Always dispose of packing materials in an environmentally friendly manner and in accordance with the applicable local disposal regulations.



The icon with the crossed-out waste bin on waste electrical or electronic equipment is taken from Directive 2012/19/EU. It states that this device must not be disposed of with the household waste at the end of its life. You will find collection points for free return of waste electrical and electronic equipment in your vicinity. The addresses can be obtained from your municipality or local administration. You can also find out about other return options that apply for many EU countries on the website <https://hub.trotec.com/?id=45090>. Otherwise, please contact an official recycling centre for electronic and electrical equipment authorised for your country.

The separate collection of waste electrical and electronic equipment aims to enable the re-use, recycling and other forms of recovery of waste equipment as well as to prevent negative effects for the environment and human health caused by the disposal of hazardous substances potentially contained in the equipment.

Only for United Kingdom

According to Waste Electrical and Electronic Equipment Regulations 2013 (SI 2013/3113) (as amended) devices that are no longer usable must be collected separately and disposed of in an environmentally friendly manner.

Trotec GmbH

Grebener Str. 7
D-52525 Heinsberg

☎ +49 2452 962-400

☎ +49 2452 962-200

✉ info@trotec.com

www.trotec.com